



l o c k & c y l i n d e r t e c h n o l o g y

NEMEF BV P.O. Box 13, 7300 AA Apeldoorn, The Netherlands
Telephone +31 55 312 84 00 Telefax +31 55 312 20 87 E-mail info@nemef.nl Internet www.nemef.nl

Fire-resistant mortise door locks

NEMEF[®]

lock & cylinder technology

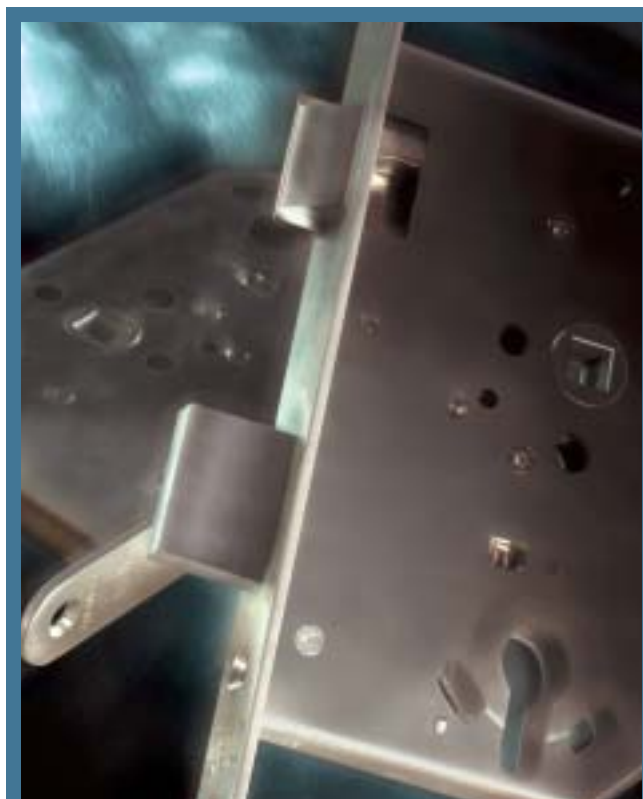
Lock & cylinder technology



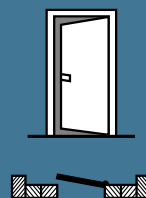
NEMEF guarantees an extensive and continually growing assortment of locks and builders' hardware, such as door locks, profile cylinders, multi-point locks and access control. These quality products that leave the NEMEF plant reach their customers quickly and efficiently due to a hypermodern distribution centre. NEMEF is working today on the standard for tomorrow through innovative product development focused on contemporary user convenience. Within this brochure we give an overview of our fire resistant mortise door locks and accessories.

Fire-resistant mortise door locks

1730 Series	5
Fire-resistant mortise locks, non-handed	
1759 Series (non fire-resistant)	6
Mortise locks, non-handed	
1769 Series	7
Fire-resistant, mortise locks, according to DIN 18250 (part I) T 120 and EN 179, handed	
1729 and 1723 Series	8
Fire-resistant mortise multi-point locks	
1749 and 1742 Series	10
Fire-resistant mortise multi-point locks	
1900 Series	12
Fire-resistant anti-panic mortise locks for one and two leaf doors according to EN 1125	
3600 Series	14
Horizontal anti-panic bars	
Accessories	16
1900 and 3600 Series	
2900 Series	18
Fire-resistant doorhandles according to DIN 18273 and EN 179	
1012 Series	20
Fire-resistant door hinges	
Strike plates	21
Certificates	22
Certificates EN 1125 and EN 179	

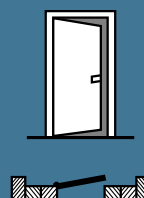


DIN Left (1)

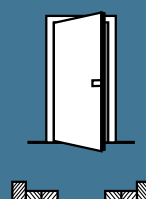


inside
outside

DIN Right (2)

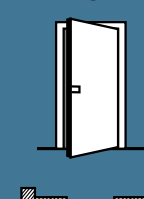


DIN Left (3)



inside
outside

DIN Right (4)



Information about locks



Do not fix a knob profile cylinder in lock of panic doors.



Do not paint front, dead- and latch bolt.



Do not leave a key in the lock of panic locks.



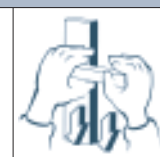
Do not drill through lockcases.



Do not fit the square spindle with force.



If door furniture is not fixed do not throw dead bolt. Locks must be replaced when signs of damage are obvious.

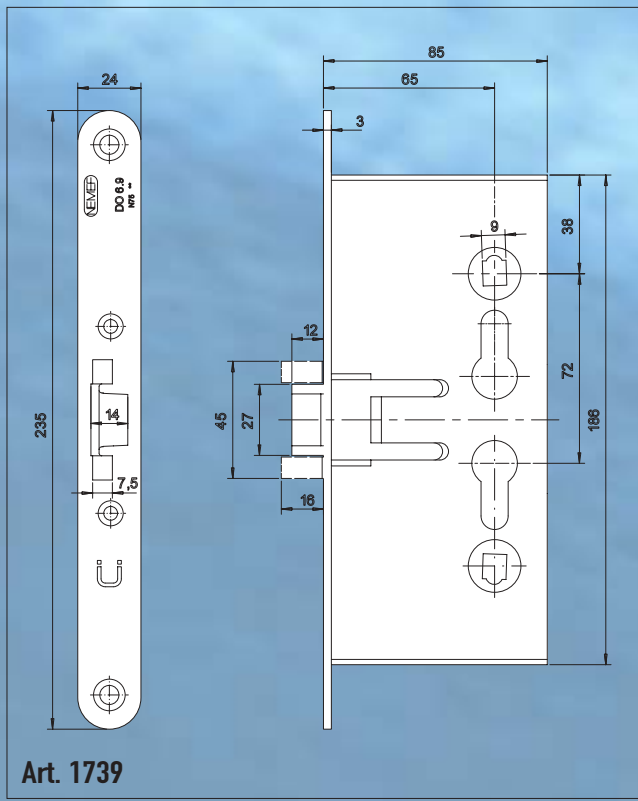


Do not force door trim.

1730 Series



Fire-resistant mortise lock, non-handed



Art. 1739

Specifications

- For European profile cylinder
- Key action on latch bolt
- Single throw dead bolt
- Without strike plate

Art. 1739/36

Furniture with fixed knob outside is required.

In unlocked position latch bolt retracts from the outside only by key action, from the inside by lever handle. In locked position lever handle retracts latch- and dead bolt simultaneously from inside (panic function). Bolts operated from outside by cylinder key only.

Art. 1739/46

Furniture with split spindle is required.

In unlocked position, latch bolt is operated from both sides by lever handle/key action. In locked position, inside lever handle retracts latch- and dead bolt simultaneously. Outside lever handle retracts latch bolt only. Dead bolt operated by cylinder key.

Available on request

- Key-infill piece with set screw (Art. BB 1739)
- Strike plate Art. P 1739/17 stainless steel (page 21)
- Reduction sleeve 9/8 mm (Art. 1769/21)
- Also available as key lock (Art. 1732/29)

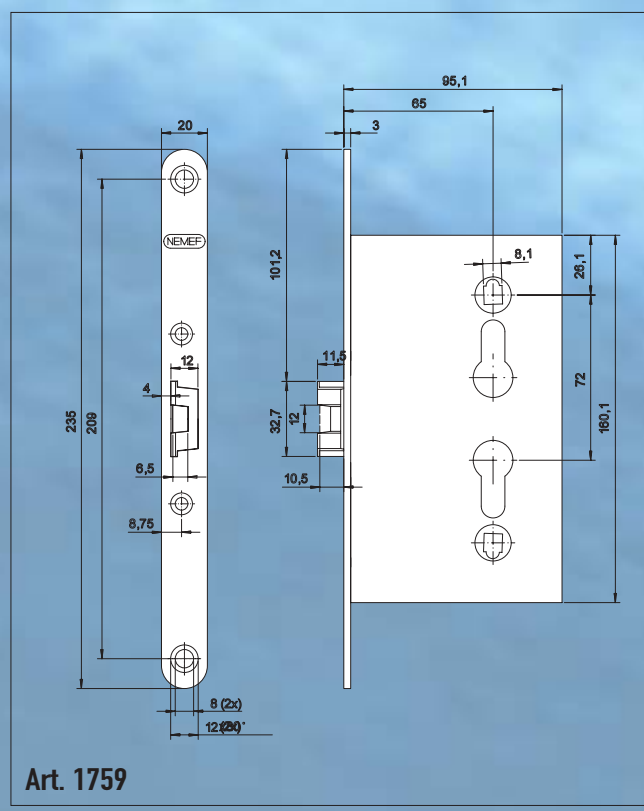
	1739/03	1739/26	1739/27	1739/28	1739/29	1739/34	1739/36	1739/38	1739/46	1739/48	1739/51	1739/55
Backset 65 mm	•	•	•	•	•	•	•	•	•	•	•	•
Distance 72 mm	•	•	•	•	•	•	•	•	•	•	•	•
Profile cylinder	•	•	•	•	•	•	•	•	•	•	•	•
9 mm follower	•	•	•	•	•	•	•	•	•	•	•	•
Steel, zinc-plated front plate 24 x 235 mm rounded	•	•	•	•	•	•	•	•	•	•	•	•
Stainless steel front plate 24 x 235 mm rounded			•					•		•		
Steel, zinc-plated front plate 20 x 235 mm rounded						•						
Steel, zinc-plated lock case	•	•	•	•	•	•	•	•	•	•	•	•
Zinc-plated latch bolt	•	•	•	•	•	•	•	•	•	•	•	•
Zinc-plated roller bolt											•	
Zinc-plated dead bolt	•	•	•	•	•	•	•	•	•	•	•	•
Key action on latch bolt	•	•	•	•	•	•	•	•	•	•	•	•
Single throw	•	•	•	•	•	•	•	•	•	•	•	•
Anti panic one-piece follower							•					
Anti panic two piece follower									•	•		
Zinc-plated security bolt												•
22 mm profile cylinder			•									
Packed per piece			•		•	•	•	•	•	•	•	•
Packed per 25 pieces	•											

Fire-resistant mortise door locks

1759 Series (non fire-resistant)



Special mortise door lock, non-handed



Specifications

- For European profile cylinder
- Key action on latch bolt
- Single throw dead bolt
- Without strike plate

Available on request

- Strike plate Art. P1759/02 steel zinc plated (page 21)

Note

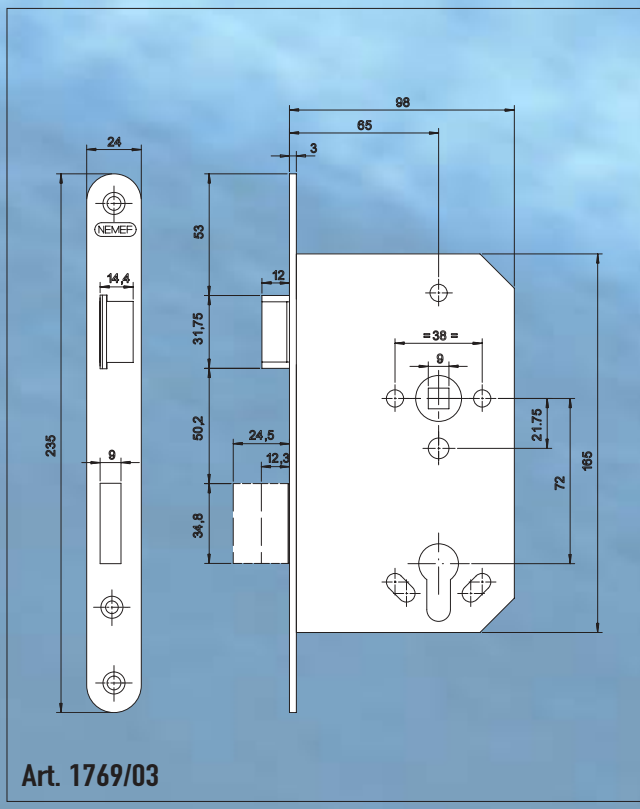
- For non fire-resistant steel door (for example passage door in garage)

	1759/02	1759/02	KABA	1759/08	1759/26	1759/27	1759/29
Backset 65 mm	•	•	•	•	•	•	•
Distance 72 mm	•	•	•	•	•	•	•
Profile cylinder	•	•	•	•	•	•	•
8 mm follower	•	•	•	•	•	•	•
Steel, lacquered front plate 20 x 235 mm rounded RAL 7035	•	•	•	•	•	•	•
Steel, zinc-plated front plate 20 x 235 mm rounded	•	•	•	•	•	•	•
Steel, zinc-plated front plate	•	•	•	•	•	•	•
Steel, zinc-plated lock case for multi point	•	•	•	•	•	•	•
Steel, zinc-plated lock case	•	•	•	•	•	•	•
Die-cast, zinc-plated latch bolt	•	•	•	•	•	•	•
Die-cast, zinc-plated dead bolt	•	•	•	•	•	•	•
Key action on latch bolt	•	•	•	•	•	•	•
Single throw	•	•	•	•	•	•	•
22 mm profile cylinder	•	•	•	•	•	•	•
Handed	•	•	•	•	•	•	•
Packed per piece	•	•	•	•	•	•	•
Packed per 25 pieces	•	•	•	•	•	•	•

1769 Series



Fire-resistant mortise lock according to DIN 18250, up to T 120 (part I) and EN 179, handed



Specifications

- For European profile cylinder
- Key action on latch bolt
- Double throw dead bolt
- One-piece follower
- Two-piece follower (Art. 1769/46)
- Without strike plate

Art. 1769/36

Furniture with fixed knob outside is required.

In unlocked position latch bolt retracts from the outside only by key action, from the inside by lever handle. In locked position lever handle retracts latch- and dead bolt simultaneously from inside (panic function). Bolts operated from outside by cylinder key only.

Art. 1769/46

Furniture with split spindle is required.

In unlocked position, latch bolt is operated from both sides by lever handle/key action. In locked position, inside lever handle retracts latch- and dead bolt simultaneously. Outside lever handle retracts latch bolt only. Dead bolt operated by cylinder key.

Available on request

- 22 mm profile cylinder hole
- Strike plate Art. P 1769/66 zinc-plated (reversible) or Art. P 1769/17 stainless steel (handed) (page 21)
- Reduction sleeve 9/8 mm (Art. 1769/21)

	1769/03	1769/08	1769/13	1769/16	1769/23	1769/24	1769/25	1769/26	1769/31	1769/32	1769/33	1769/35	1769/36	1769/46	1769/56	1769/76	1769/77
Backset 65 mm	•	•	•	•	•	•	•	•	•	•	•	•	•	•	•	•	•
Distance 72 mm	•	•	•	•	•	•	•	•	•	•	•	•	•	•	•	•	•
Profile cylinder	•	•	•	•	•	•	•	•	•	•	•	•	•	•	•	•	•
9 mm follower	•	•	•	•	•	•	•	•	•	•	•	•	•	•	•	•	•
8 mm follower	•	•	•	•	•	•	•	•	•	•	•	•	•	•	•	•	•
Steel, zinc-plated front plate 24 x 235 mm rounded	•	•	•	•	•	•	•	•	•	•	•	•	•	•	•	•	•
Steel, zinc-plated front plate 24 x 235 mm square	•	•	•	•	•	•	•	•	•	•	•	•	•	•	•	•	•
Stainless steel front plate 24 x 235 mm rounded	•	•	•	•	•	•	•	•	•	•	•	•	•	•	•	•	•
Neutral steel, zinc-plated front plate 20 x 235 mm rounded	•	•	•	•	•	•	•	•	•	•	•	•	•	•	•	•	•
Neutral stainless steel front plate 20 x 235 mm rounded	•	•	•	•	•	•	•	•	•	•	•	•	•	•	•	•	•
Steel, zinc-plated lock case	•	•	•	•	•	•	•	•	•	•	•	•	•	•	•	•	•
Zinc-plated latch bolt	•	•	•	•	•	•	•	•	•	•	•	•	•	•	•	•	•
Steel, nickel-plated latch bolt	•	•	•	•	•	•	•	•	•	•	•	•	•	•	•	•	•
Zinc-plated dead bolt	•	•	•	•	•	•	•	•	•	•	•	•	•	•	•	•	•
Steel, nickel-plated dead bolt	•	•	•	•	•	•	•	•	•	•	•	•	•	•	•	•	•
Latch only	•	•	•	•	•	•	•	•	•	•	•	•	•	•	•	•	•
Dead bolt only	•	•	•	•	•	•	•	•	•	•	•	•	•	•	•	•	•
Key action on latch bolt	•	•	•	•	•	•	•	•	•	•	•	•	•	•	•	•	•
Double throw	•	•	•	•	•	•	•	•	•	•	•	•	•	•	•	•	•
Anti panic one-piece follower	•	•	•	•	•	•	•	•	•	•	•	•	•	•	•	•	•
Anti panic two piece follower	•	•	•	•	•	•	•	•	•	•	•	•	•	•	•	•	•
Panic function inwards	•	•	•	•	•	•	•	•	•	•	•	•	•	•	•	•	•
Packed per piece	•	•	•	•	•	•	•	•	•	•	•	•	•	•	•	•	•

Fire-resistant mortise door locks

1729 and 1723 Series



Main lock - Art. 1729/21



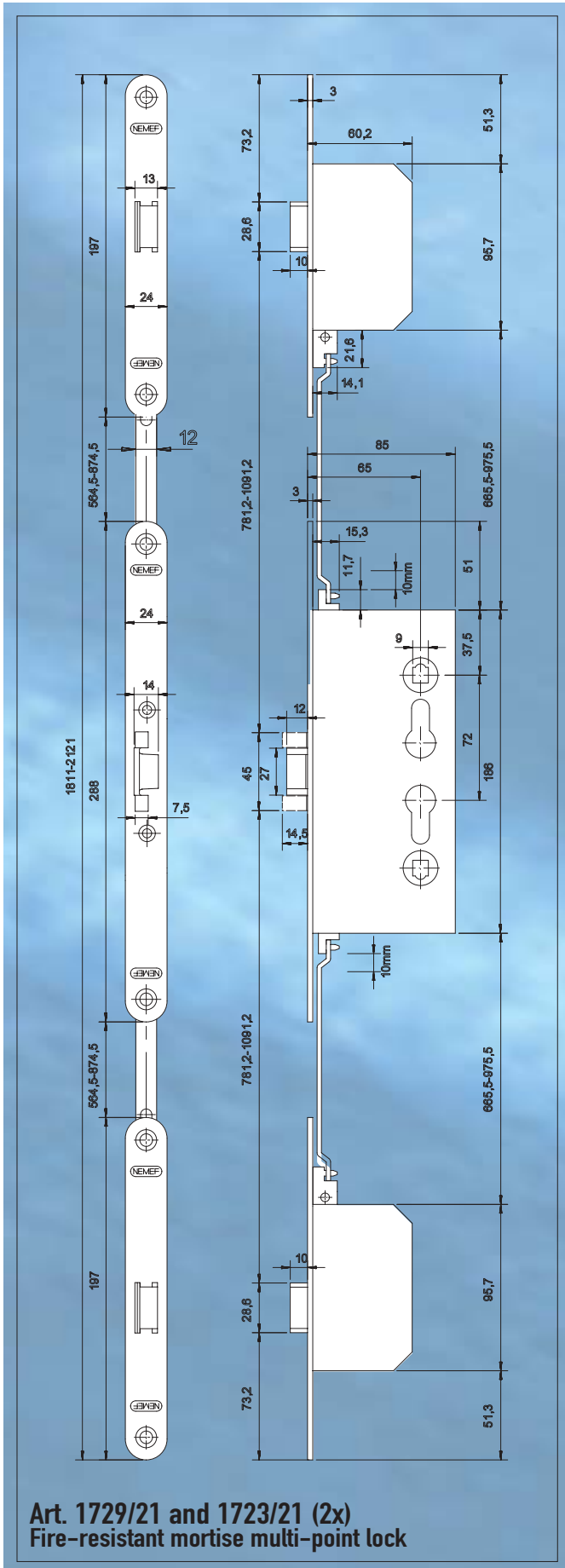
Upper lock - Art. 1723/21



Rod - Art. 1729



Lower lock - Art. 1723/21



Specifications

Main lock – Art. 1729/21

- Non-handed
- For European profile cylinder
- Key action on latch bolt
- Single throw dead bolt
- One-piece follower
- Without strike plate
- With rod movement up- and downwards

Latches – Art. 1723/21

- Handed, with rod connection

Rods – Art. 1729

- Length 648 or 958 mm

In unlocked position

Latch bolts are operated from both sides by lever handle or key action on latch bolt.

In locked position

Dead bolt is locked. Latch bolts are operated from both sides by lever handle.

	1729/21	1723/21
Backset 65 mm	●	●
Distance 72 mm	●	●
Profile cylinder	●	●
9 mm follower	●	●
Lackered front plate 288 x 24 x 3 mm rounded	●	●
Lackered front plate 97 x 24 x 3 mm rounded		●
Zinc-plated lock case	●	●
Zinc-plated latch bolt	●	●
Zinc-plated dead bolt	●	●
Key action on latch bolt	●	●

Fire-resistant mortise door locks

1749 and 1742 Series



Main lock - Art. 1749



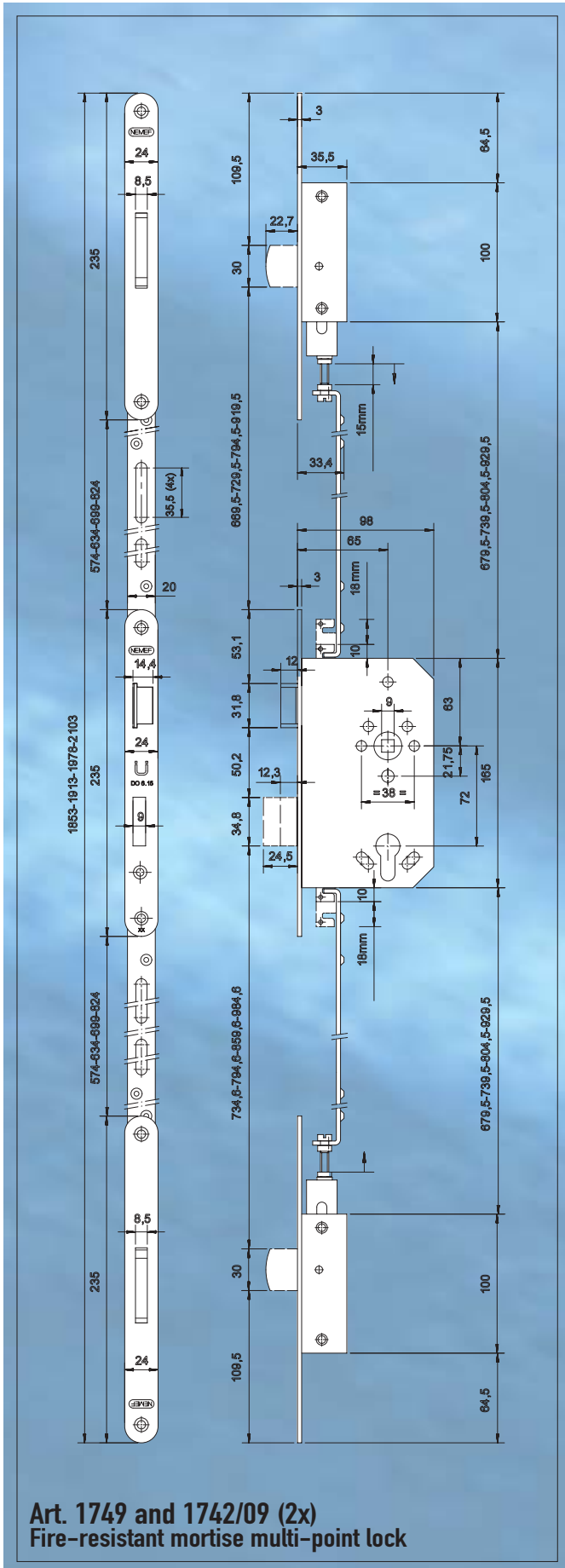
Upper lock - Art. 1742/09



Rod - Art. 1742



Lower lock - Art. 1742/09



Specifications

Main lock – Art. 1749

- For European profile cylinder
- Key action on latch bolt
- Double throw dead bolt
- Without strike plate

Pivot dead bolts – Art. 1742/09

- With adjustable rod application

Rods – Art. 1742

Length 629, 689, 754 or 879 mm

In unlocked position

Latch bolt is operated from both sides by lever handle/key action.

In locked position

Dead bolt and pivot dead bolts are locked. Latch bolt and lever handle are blocked.

Please use Art. 1742 only in accordance with Art. 1749/09 and 1749/47.

	1749/09	1749/37	1749/47	1742/09
Backset 65 mm	•	•	•	•
Distance 72 mm	•	•	•	•
Profile cylinder	•	•	•	•
9 mm follower	•	•	•	•
Steel, zinc-plated front plate 235 x 24 x 3 mm rounded	•	•	•	•
Steel, zinc-plated lock case	•	•	•	•
Steel, zinc-plated latch bolt	•	•	•	•
Steel, zinc-plated dead bolt	•	•	•	•
Key action on latch bolt	•	•	•	•
Anti-panic one-piece follower	•	•	•	•
Anti-panic two-piece follower	•	•	•	•
Suitable for fixed rods	•	•	•	•

Fire-resistant mortise door locks

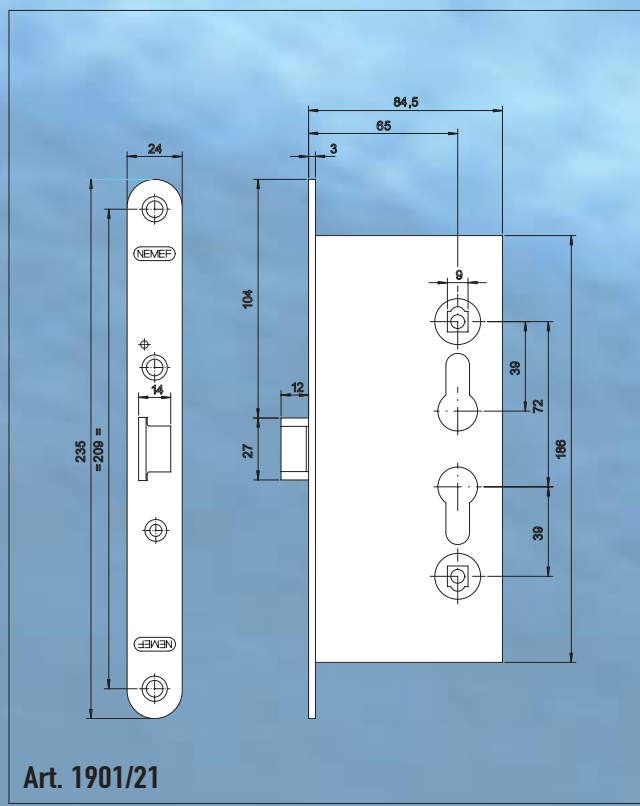
1900 Series



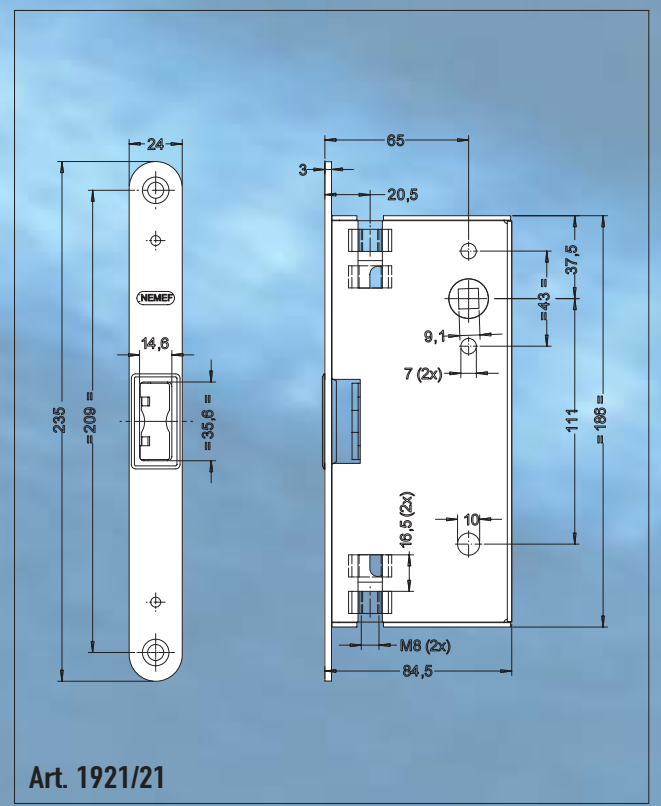
Fire-resistant anti-panic mortise locks for active leaf



Fire-resistant anti-panic mortise locks for passive leaf



Art. 1901/21



Art. 1921/21

Specifications

- For European profile cylinder
- Key action on latch bolt
- Two-piece follower
- Without strike plate

Art. 1901 and 1905

Art. 1901/17 and /21 Anti-panic lock for active leaf. Reversible.

Art. 1905/21 Narrow style anti-panic lock for active leaf.

In unlocked position: latch bolt is operated from both sides by lever handle/key action. In locked position: no operation of latch bolt from outside. Operation latch bolt from inside handle.

Art. 1901/17 is the same lock, however the forend is stainless steel.

Note

- According to EN 1125

Art. 1921 and 1925

Art. 1921/17, 1921/21 and 1921/27 anti-panic lock for passive leaf.

Non-handed. Art. 1925/21 narrow style anti-panic lock for passive leaf.

By operating the inside lever handle the upper and lower rods are retracted and the latch bolt in the active lock (Art. 1901/21 and 1905/21) pushed back, which opens both doors.

In unlocked position the rods are held in unlocked position by the automatic relatching device. When closing the passive door, the rods are brought back in locked position automatically. In locked position, upper and lower rod can not be operated simultaneously.

Do not use lever handle from outside on Art. 1921 and 1925.

Note

- According to EN 1125

	1901/17	1901/21	1905/21	1921/17	1921/21	1921/27	1925/21	1925/21
Backset 65 mm	•	•	•	•	•	•	•	•
Backset 40 mm			•				•	
Distance 72 mm	•	•	•					•
Profile cylinder	•	•	•	•	•	•	•	•
9 mm follower	•	•	•	•	•	•	•	•
Steel, zinc-plated front plate 24 x 235 mm rounded			•				•	
Steel, zinc-plated front plate 24 x 350 mm rounded			•				•	
Stainless steel front plate 24 x 235 mm rounded	•			•				
Steel, zinc-plated front plate 32 x 235 mm rounded						•		
Steel, zinc-plated lock case for multi point								•
Steel, zinc-plated lock case	•	•	•	•	•	•	•	•
Die-cast, zinc-plated latch bolt	•	•	•	•	•	•	•	•
Key-action on latch bolt	•	•	•	•	•	•	•	•
Reversible	•	•		•	•			
Handed			•				•	•
Packed per piece		•			•			
Packed per 25 pieces	•	•	•	•	•	•	•	•

Fire-resistant mortise door locks

3600 Series

Horizontal anti-panic bars

The horizontal anti-panic bar 'smart' is according to EN 1125 in combination with 1900 series panic locks. It can be used with all anti-panic locks of the NEMEF 1700 and 1900 series.

The main feature of the anti-panic bar is that the door can be opened in every situation by hand or by leaning against the door. Furthermore the bar is tested for operation on fire resistant doors with anti-panic locks.

Advantages

- Suitable for mortise locks: attractive design
- Non-handed: reducing stock
- Flexible program: complete range of accessories
- Easy to apply: minimal fixing time
- High quality in accordance with European standard

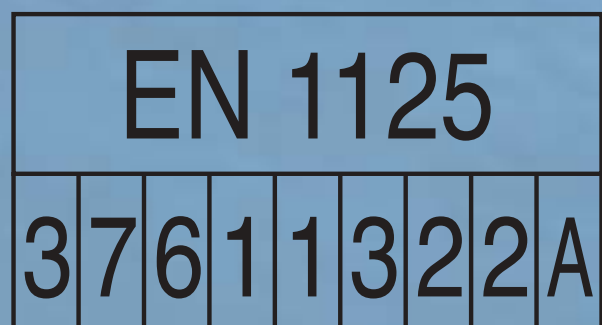
Technical specification

- Over 200.000 hittings for test in accordance with EN 1125:1997+A1:2001
- Opening power on non-loaded door: $\leq 80\text{N}$
- Opening power on a 1000N loaded door: $\leq 220\text{N}$
- Finger protection
- Bar projection 100 mm
- Neutral salt spraytest. Grade 3: high resistance (96 hours EN 1670:1998)

Spindles

Art. 3621	9 mm square spindle, 125 mm
Art. 3622	9 mm splitted square spindle, 55/55 mm
Art. 3623	9 mm splitted square spindle 38/55 mm
Art. 3624	Splitted spindle 8/9 mm, 42/45 mm
Art. 3625	Splitted spindle 9/8 mm, 77 mm

Note: Pushbar Art. 3630 does not fit on top mechanism (Art. 3620)



Anti-panic bar 'smart'

Bar

Art. 3630/4. Aluminium bar. Length: 900 or 1200 mm

Mechanism

Art. 3640/1. Black painted steel mechanical housing with plastic cover. With steel core into the handle and plate.

Application

Door width: 350 - 1300 mm

Door thickness: 40 - 65 mm

Distance: 72 mm or 92 mm

Width: 34,5 mm

With or without profile cylinder holes





Anti-panic bar rim-type 'smart'

Bar

Art. 3630/4. Aluminium rod. Length: 900 or 1200 mm

Mechanism

Art. 3645/1. Black painted connecting rods

Art. 3650/1. Black painted mechanical housing with plastic cover. With steel core into the handle and plate

Application

Door width: 350 - 1300 mm

Non-handed

Can only be used for double leaf doors (only the Smart version)



Anti-panic bar 'top'

Bar

Art. 3610/9. Chrome-plated steel bar. Length: 900 or 1200 mm

Art. 3610/17. Stainless steel bar. Length: 900 or 1200 mm

Mechanism

Art. 3620/1. Black painted steel mechanical housing with steel cover

With steel core into the handle and plate

Art. 3615/17. Stainless steel mechanical housing with steel cover

With steel core into the handle and plate

Application

Door width: 350 - 1300 mm

Door thickness: 40 - 65 mm

Distance: 72 mm or 92 mm

Width: 42 mm

With or without profile cylinder holes

Note: No RIM-type in TOP version



Fire-resistant mortise door locks

Accessories 1900 and 3600 Series

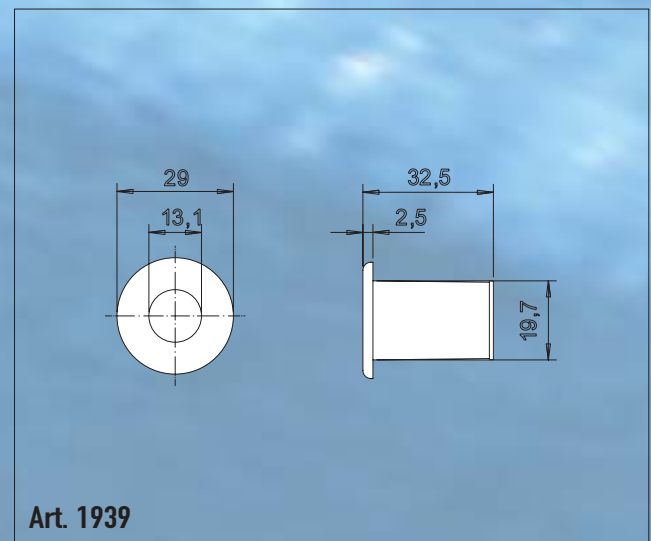
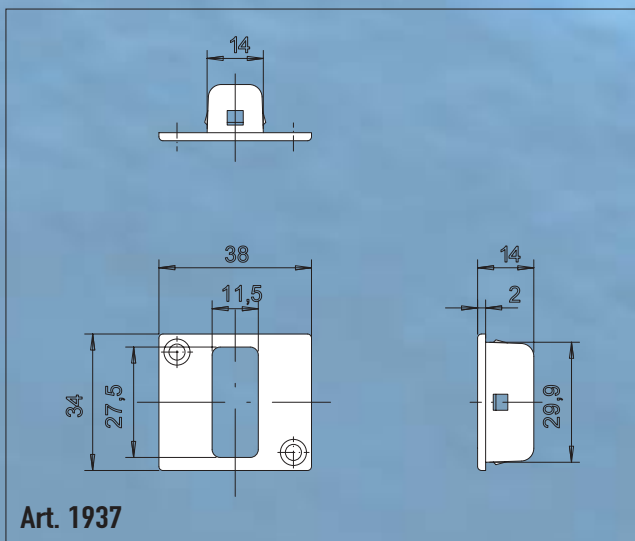
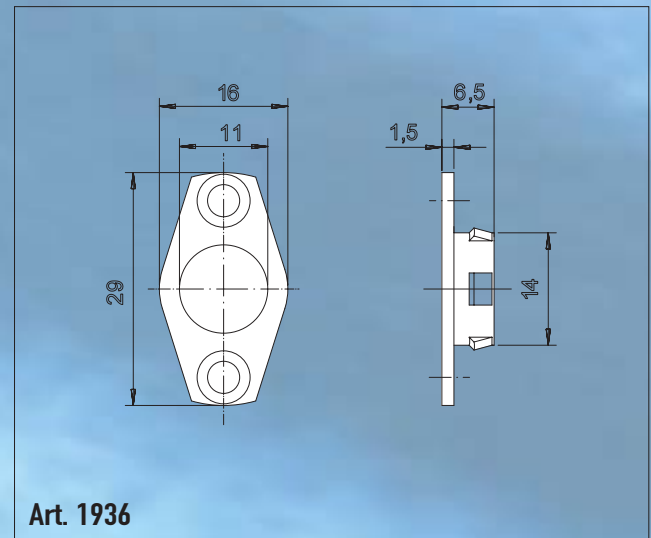
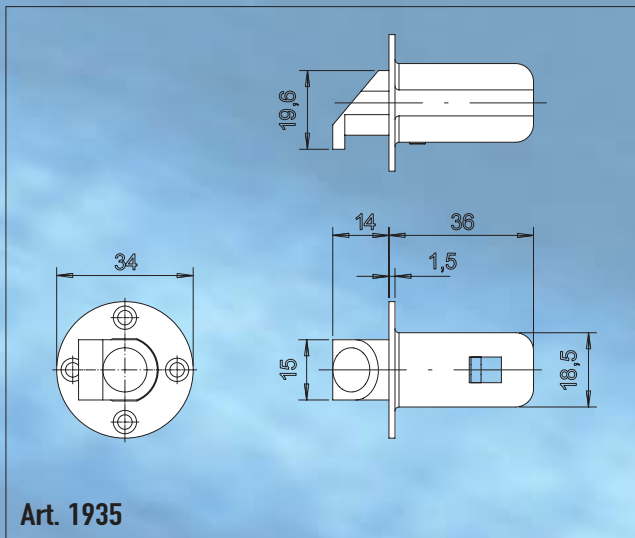


Art. 1935
Automatic relatching device

Art. 1936
Rod hasp bottom

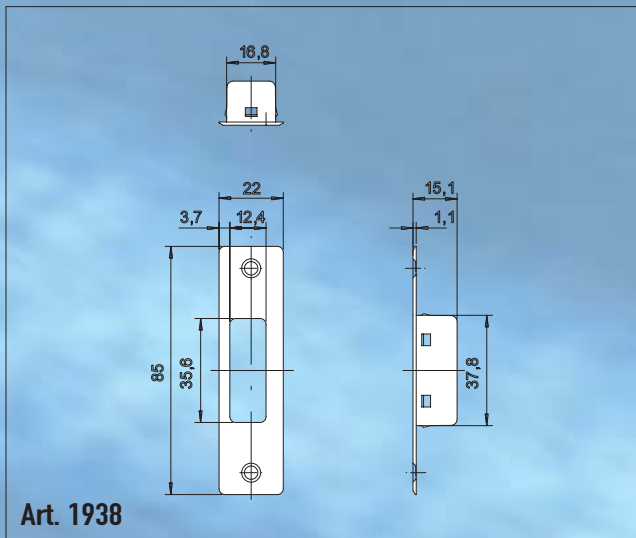
Art. 1937
Rod hasp top

Art. 1939
Floor strike cup





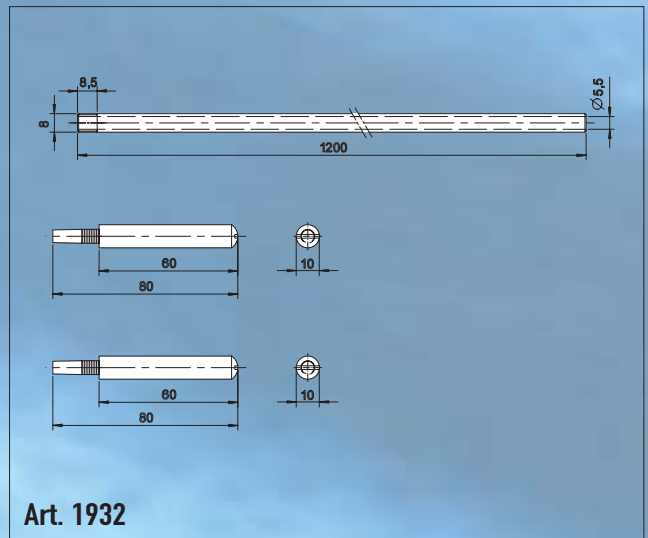
Art. 1938
Strike plate for Art. 1901 in one leaf door situation



Art. 1938

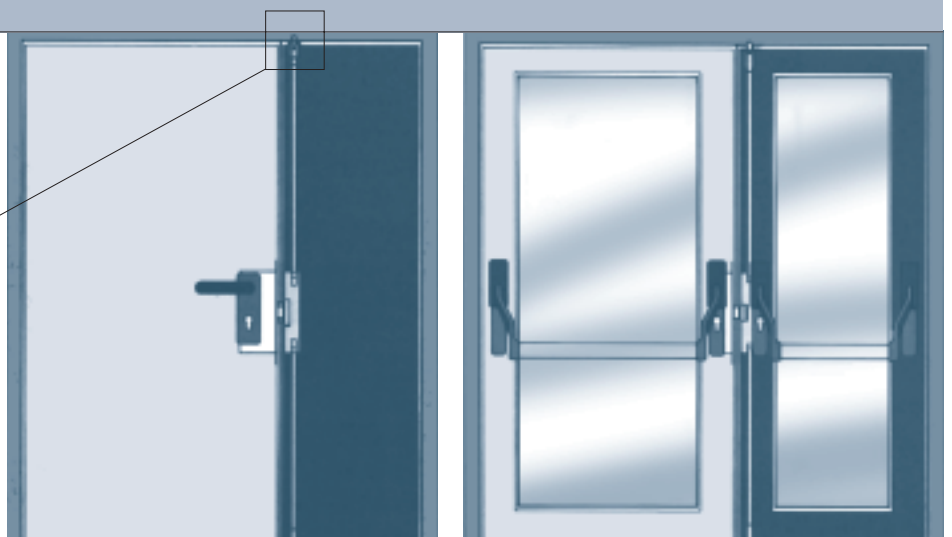
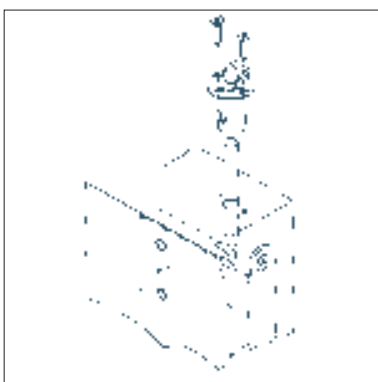


Art. 1932
Zinc-plated rods. Length: 1200 mm



Art. 1932

Example use of 1932 and 1935



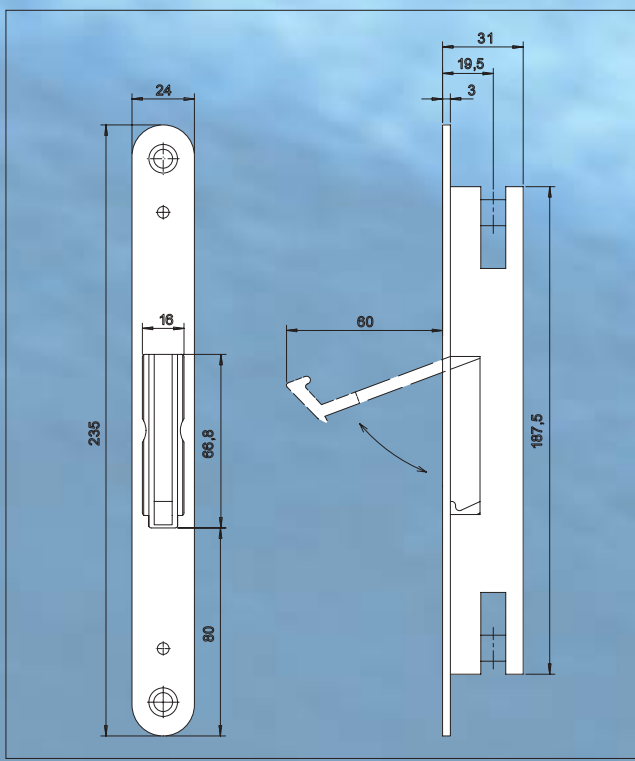
Fire-resistant mortise door locks

Accessories



Art. 1995

Flush bolt to be used for passive door and to combine with Art. 1932.



2900 Series



Art. 2916

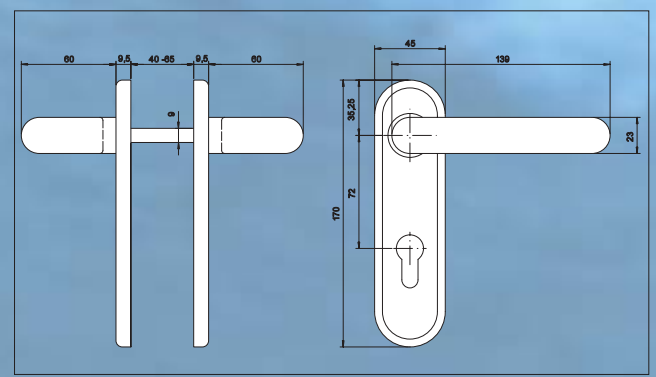
Back plate	Steel
Cover plate	Plastic, black or grey
Handle	Plastic, black or grey, fixed to plate
Square spindle	9 mm
Door width	40 - 63 mm
Also available	Without cylinder holes Art 2914/02
Art. 2916/02	Mat black
Art. 2916/05	Mat grey

Fire-resistant doorhandle according to DIN 18273 and EN 179.

With steel core into the handle and plate.

Also available in non fire-rated execution (without steel plate),

Art. 2959/02 (page 20)

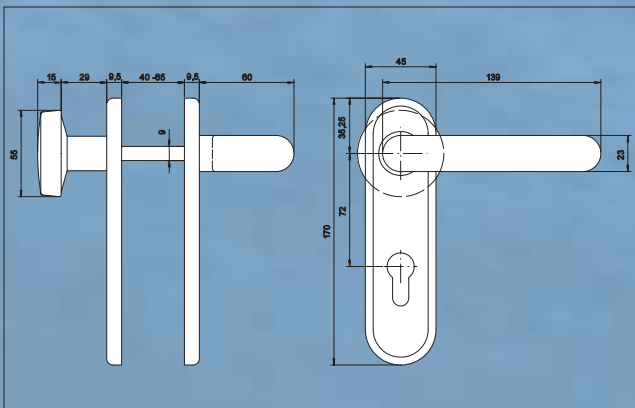




Art. 2919 Knob-lever doorhandle

Back plate	Steel
Cover plate	Plastic, black or grey
Handle	Plastic, black or grey, fixed to plate
Square spindle	9 mm
Door width	40 - 63 mm
Art. 2919/02	Mat black
Art. 2919/05	Mat grey

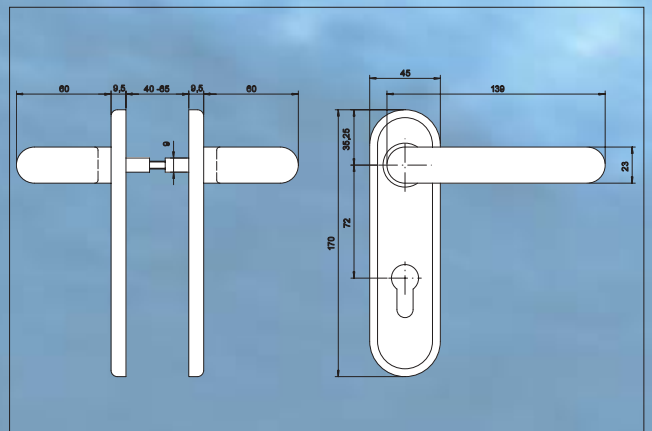
Fire-resistant doorhandle according to DIN 18273 and EN 179.
With steel core into the handle and plate.



Art. 2924 Lever handle anti-panic furniture

Back plate	Steel
Cover plate	Plastic, black or grey
Handle	Plastic, black or grey, fixed to plate
Square spindle	9 mm splitted
Door width	40 - 63 mm
Art. 2924/02	Mat black
Art. 2924/05	Mat grey

Fire-resistant doorhandle according to DIN 18273 and EN 179.
With steel core into the handle and plate.



Fire-resistant mortise door locks

2959 Series



Art. 2959/02 (non fire-resistant)

Art. 2959/02 lever/lever furniture

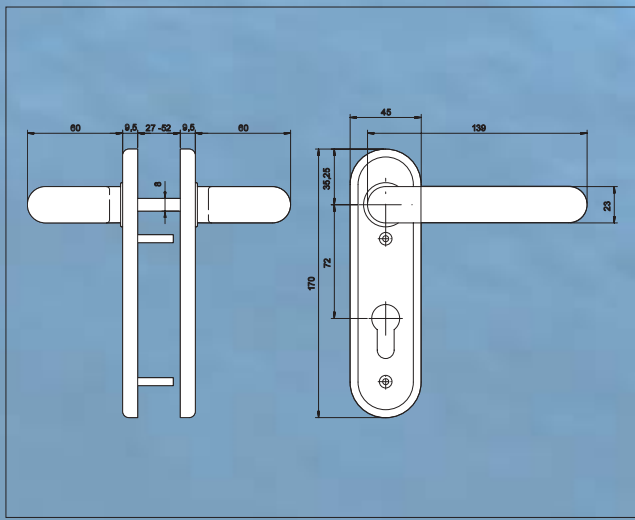
Plate Black plastic

Handle Black plastic

Square spindle 8 mm

Door width 40 - 63 mm

Art. 2959/02 Mat black



1012 Series



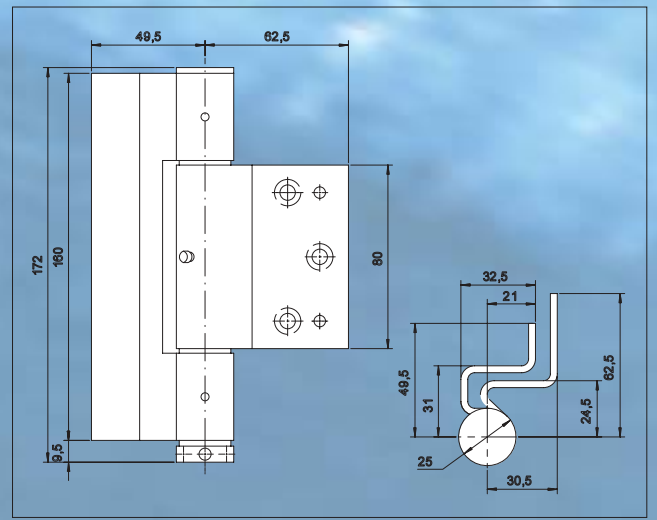
Art. 1012/02

Fire-resistant door hinges. According to DIN 18272.

Set consisting of:

- One spring hinge
- One non-spring hinge
- Fixing pin
- Fixing screw

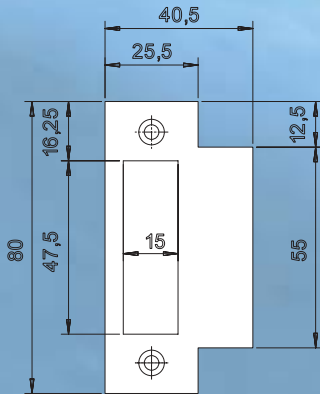
Also available: Art. 1012/02 in zinc-plated finish, Art. 1012 without holes



Strike plates

Strike plate 1730 series

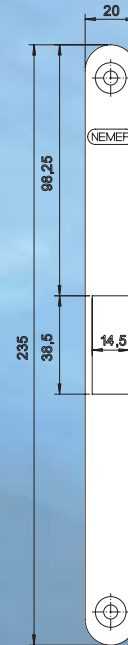
For the 1730 series the following strike plate can be used:



Art. P 1739/17, stainless steel, non-handed

Strike plate 1759 Series

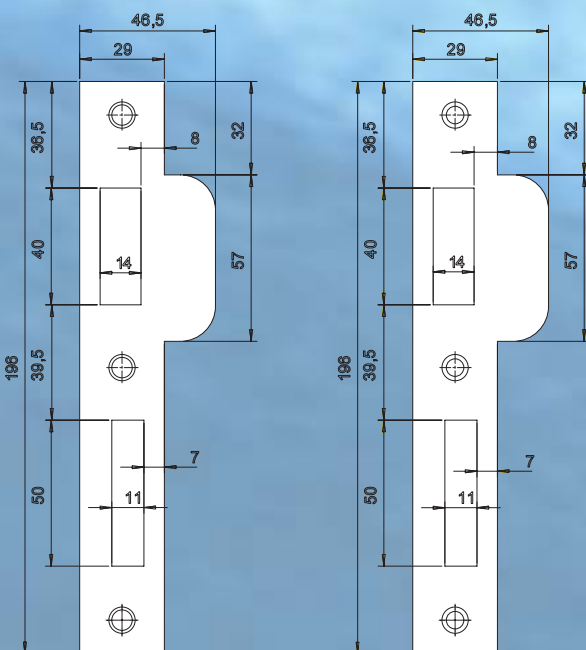
For the 1759 series the following strike plate can be used:



Art. P 1759/02, steel zinc-plated, non-handed

Strike plate 1760 Series

For the 1760 series the following strike plates can be used:

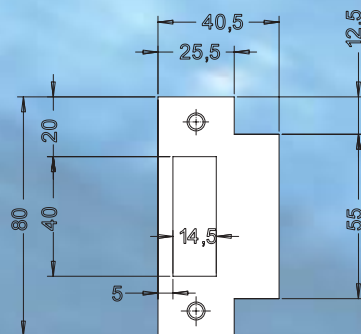


Art. P 1769/66, steel zinc-plated, non-handed

Art. P 1769/17, stainless steel, handed

Strike plate 1900 Series

For the 1900 series the following strike plate can be used:



Art. P 55/12, steel zinc-plated, non-handed

Fire-resistant mortise door locks

Certificates

